

BRUNNER FIREPLACES



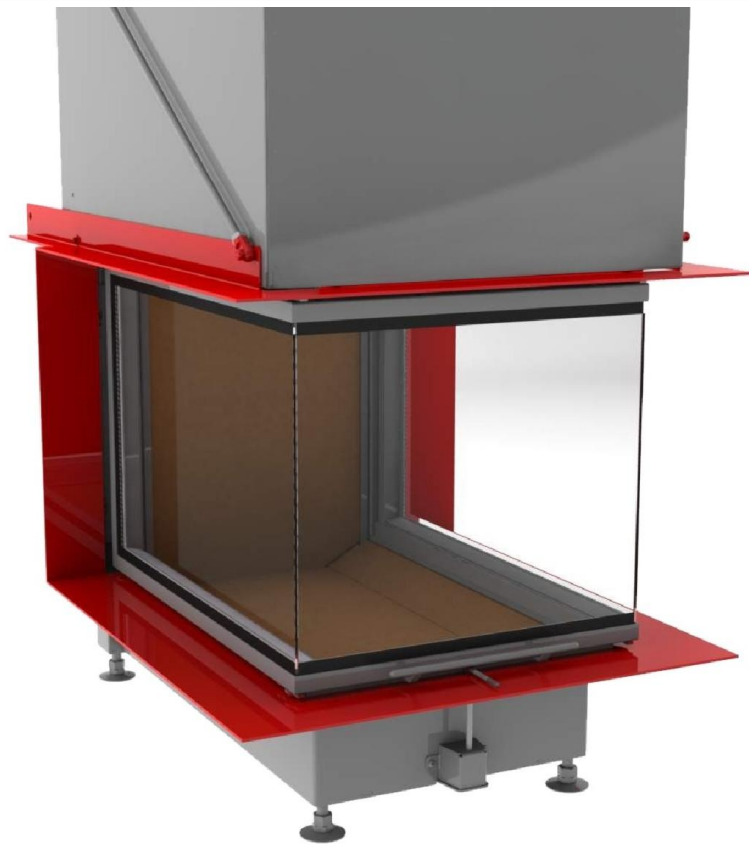
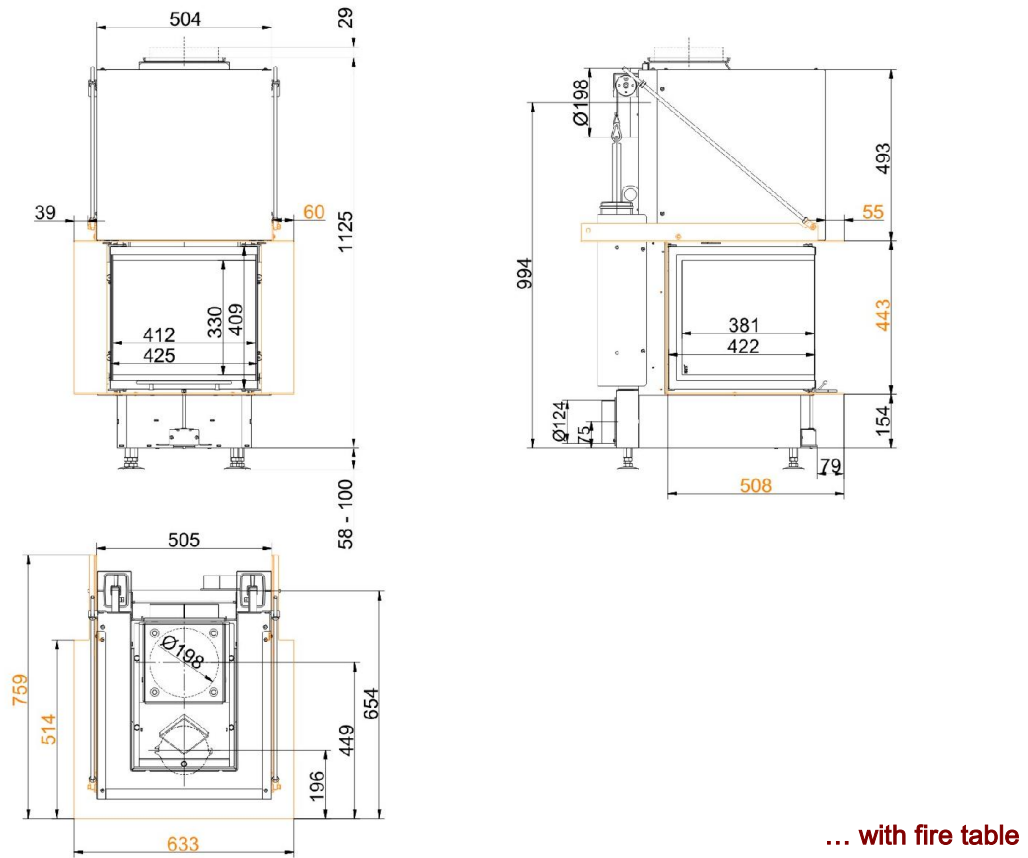
Panorama-Kamin 42/42/42/42 lifting doors (easy-lift)

State: 17.11.2014



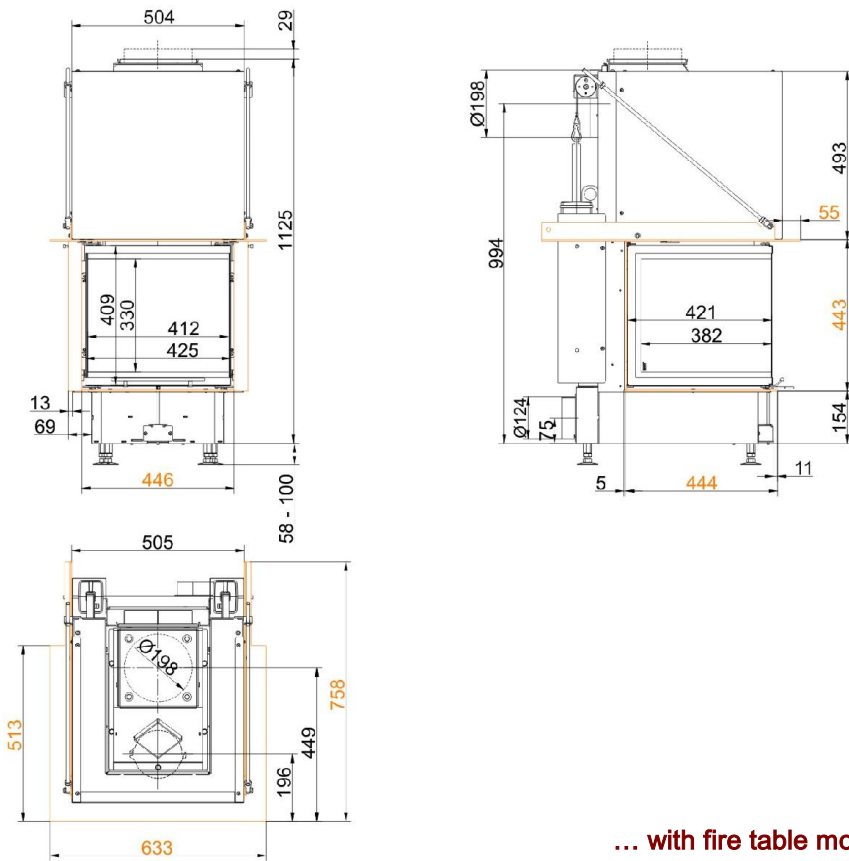
BRUNNER[®]
made in germany

Dimension sheet | **Panorama-Kamin 42/42/42/42 lifting doors (easy-lift)**

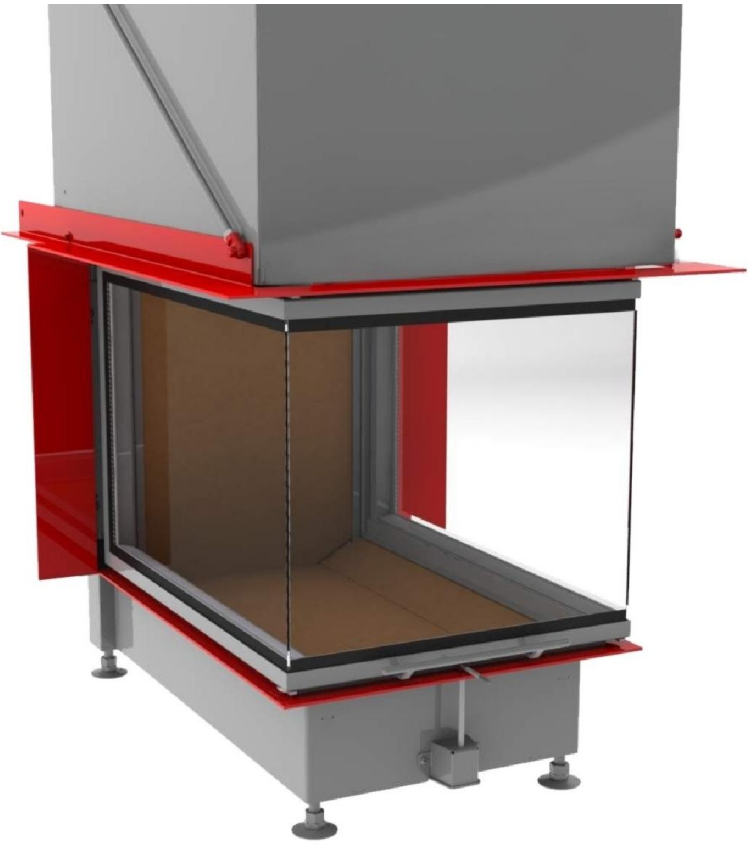


We suggest for CAD planing Palette CAD. Permanent updated drawings: www.brunner.de
Frames / front versions are marked colored.

Dimension sheet | **Panorama-Kamin 42/42/42/42 lifting doors (easy-lift)**



... with fire table mounting frame



We suggest for CAD planing Palette CAD. Permanent updated drawings: www.brunner.de
 Frames / front versions are marked colored.

Planning and installation

Panorama-Kamin 42/42/42/42

Tested according to	EN 13229 W	EN 13229 W	
Values measured at	nominal load	open door	
Suitable for all construction types according to rules	OK	OK	
Data for functional demonstration			
Rated heat power	kW	8	-
Firewood consumption	kg/h	2,5	
Combustion performance	kW	10	
Flue gas mass flow	g/s	9	
Outlet temperature (before heating surface)	°C	-	
Flue gas temperature after			
attached steel smoke hood	°C	190	
adjoining cast iron radiator (GNF10)	°C	-	
accumulation rings (MAS) ¹⁾	°C	-	
adjoining ceramic accumulator ²⁾	°C	-	
accumulation stones (MSS)	°C	-	
water boiler	°C	-	
Necessary supply pressure	Pa	12	
Combustion air consumption	m ³ /h	22	
Combustion air connection Ø	mm	125	
Heat distribution			
Insert / heating surface	%	50 / -	/
Glass (single / double)	%	50 / -	/
Boiler	%	-	-
Cross-section of gratings for max. warm air power			
Supply air	cm ²	500	-
Warm air	cm ²	500	-
Minimal oven surface for closed construction type			
Surface giving off heat	m ²	4,0	
Space inside oven chamber			
Distance to oven chamber wall	cm	6	
Distance to floor	cm	6	
Heat insulation without / with ³⁾ air gratings			
Wall	cm	6 / 4	
Floor	cm	0	
Ceiling	cm	19 / 14	
Insulation of additional fire door DHT	cm	-	-
Brick lining of protected walls	cm	10	
Weight			
Fireplace + burning chamber	kg	121 + 27	
meets requirement limit values for			
Germany / Austria / Switzerland / Norway	1.BImSchV (Stufe 2) / 15a BVG / LRV / NS 3059		

1) Throttle flap recommended

2) Approximate value, must be calculated eventually

3) Values with air gratings, stove casing is heat conducting

Ulrich Brunner GmbH
Zellhuber Ring 17 -18
D-84307 Eggenfelden
Phone: +49 / (0)87 21 / 7 71-0
Fax: +49 / (0)87 21 / 7 71-100
info@brunner.eu | www.brunner.eu



BRUNNER products are offered and sold only by qualified dealers and service centres.
Subject to technical and assortment changes. Errors excepted. (11/14)