



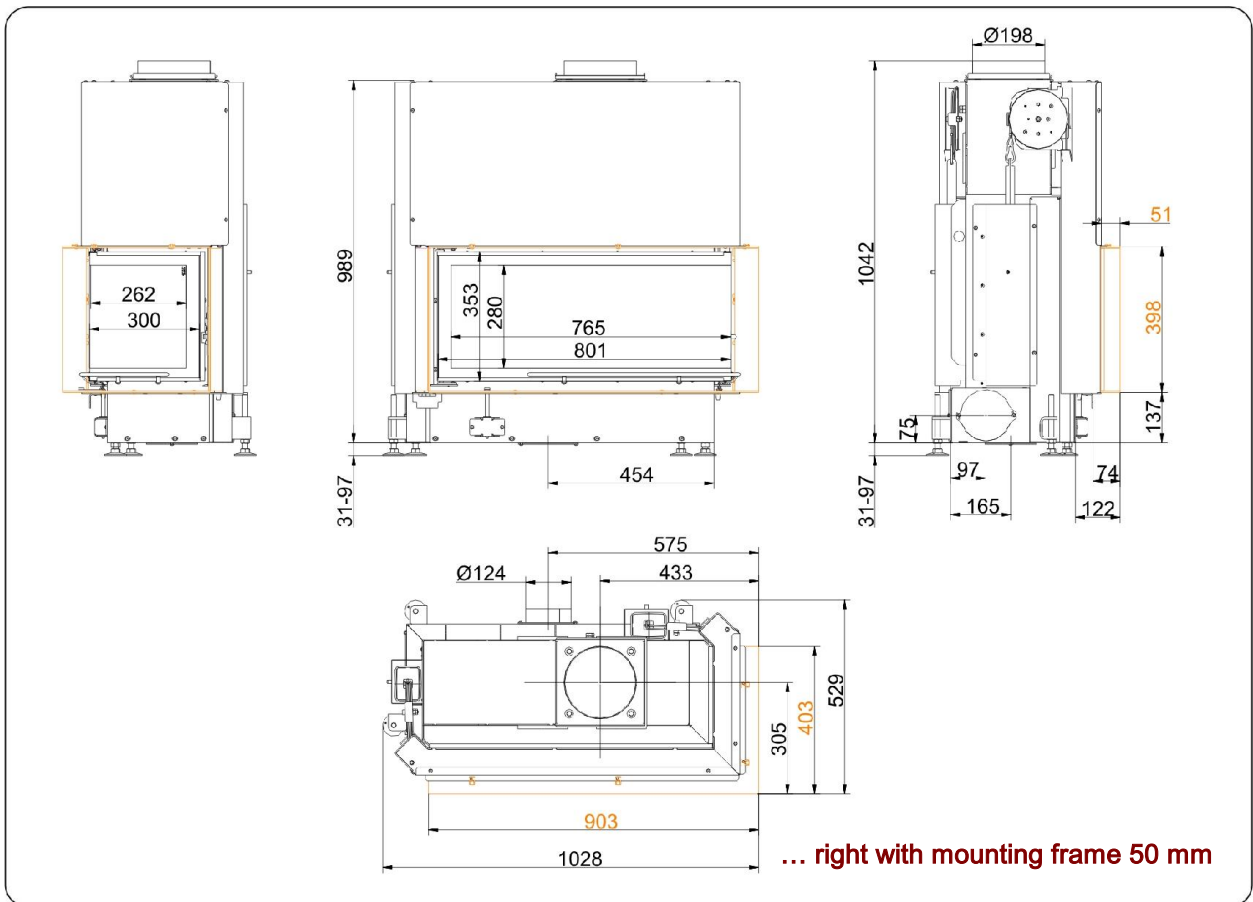
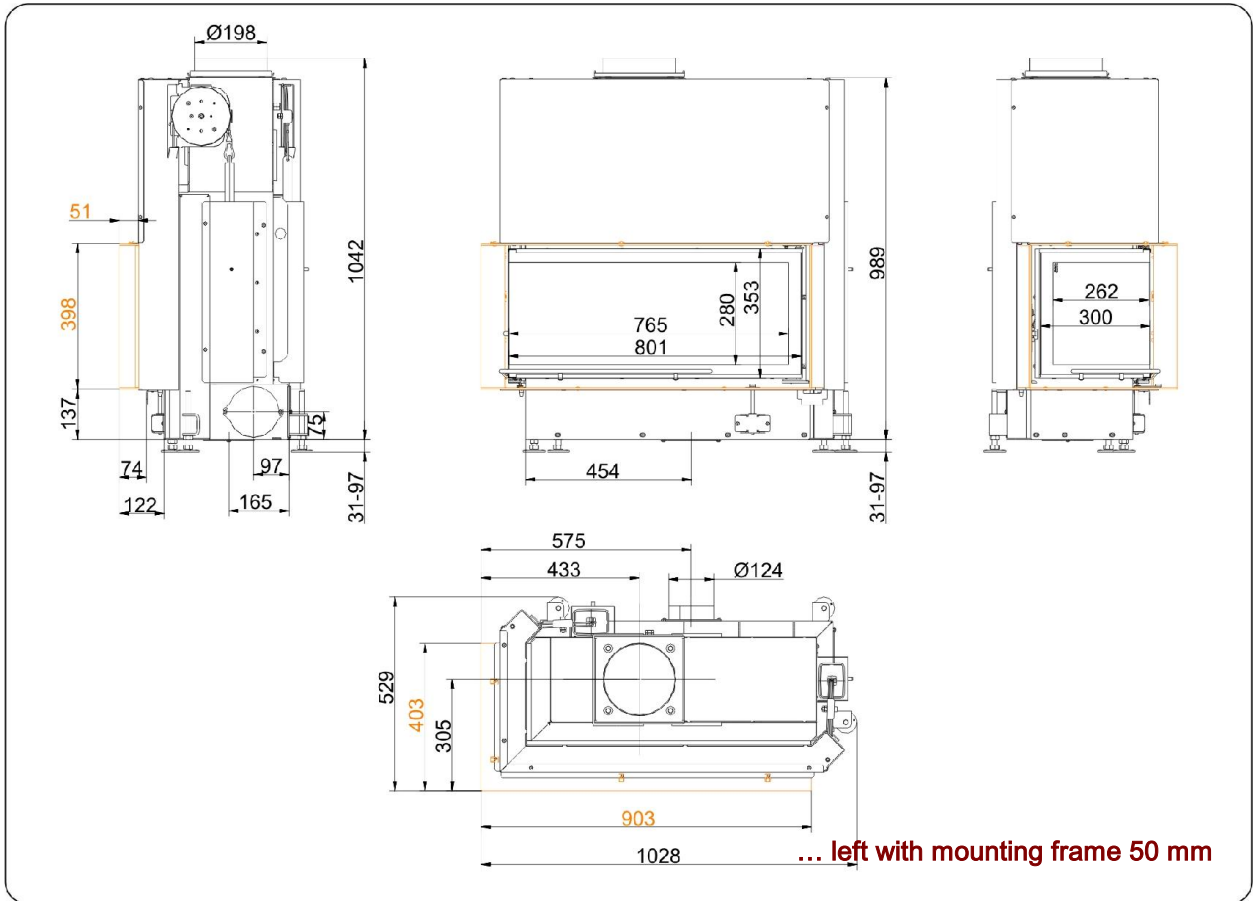
Architektur-Eck 38/86/36 lifting doors (easy-lift)

State: 09.02.2015



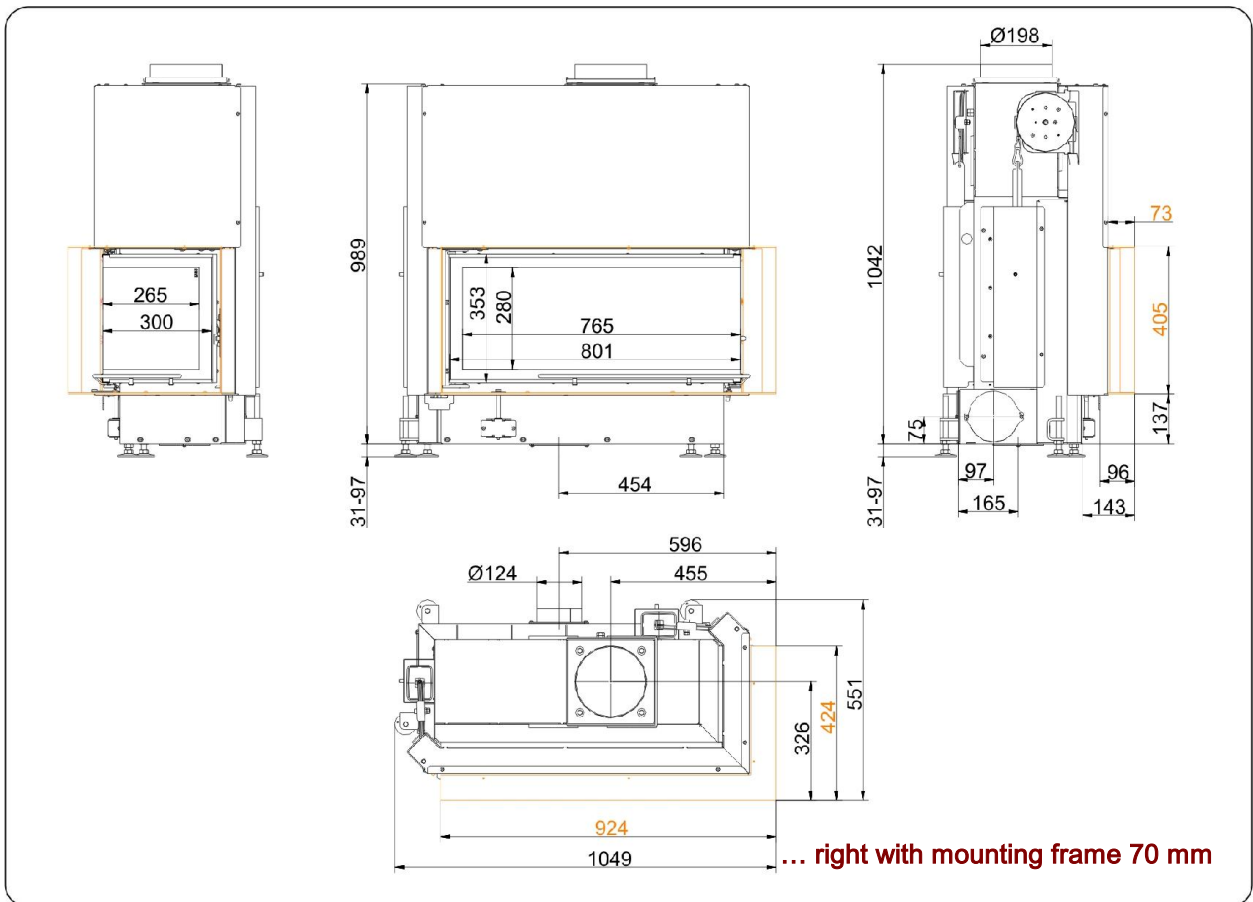
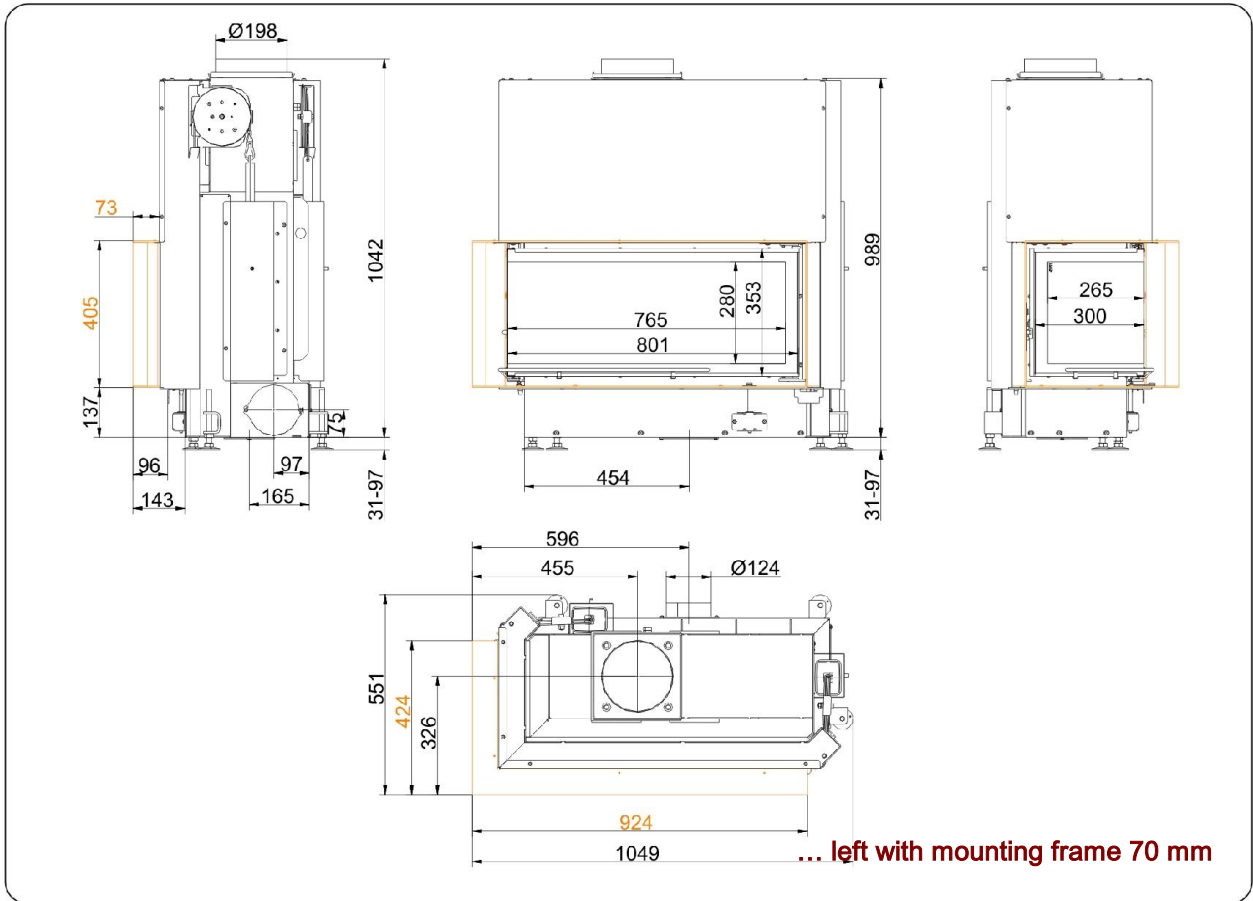
BRUNNER[®]
made in germany

Dimension sheet | **Architektur-Eck 38/86/36 lifting doors (easy-lift)**



We suggest for CAD planing Palette CAD. Permanent updated drawings: www.brunner.de
 Frames / front versions are marked colored.

Dimension sheet | **Architektur-Eck 38/86/36 lifting doors (easy-lift)**



We suggest for CAD planing Palette CAD. Permanent updated drawings: www.brunner.de
 Frames / front versions are marked colored.

Planning and installation

Architektur-Eck 38/86/36

Tested according to	EN 13229 W	EN 13229 W
Values measured at	nominal load	accumulation open door
Suitable for all construction types according to rules	OK	OK
Data for functional demonstration		
Rated heat power	kW 10	-
Firewood consumption	kg/h 3,1	3,1
Combustion performance	kW 13,5	13,5
Flue gas mass flow	g/s 11	75
Outlet temperature (before heating surface)	°C 375	-
Flue gas temperature after		
attached steel smoke hood	°C 220	135
adjoining cast iron radiator (GNF10)	°C -	-
accumulation rings (MAS) ¹⁾	°C -	-
adjoining ceramic accumulator ²⁾	°C -	-
accumulation stones (MSS)	°C -	-
water boiler	°C -	-
Necessary supply pressure	Pa 12	6
Combustion air consumption	m ³ /h 30	200
Combustion air connection Ø	mm 125	-
Heat distribution		
Insert / heating surface	% 55 / -	- / -
Glass (single / double)	% 45 / -	- / -
Boiler	% -	-
Vent cross-section ⁴⁾		
Supply air	cm ² 800 / 100 / -	-
Warm air	cm ² 800 / 100 / -	-
Minimal oven surface for closed construction type		
Surface giving off heat	m ² 4,0	-
Space inside oven chamber		
Distance to oven chamber wall	cm 8	8
Distance to floor	cm -	-
Heat insulation without / with ³⁾ air gratings		
Wall	cm 16 / 12	16 / 12
Floor	cm 2 / 2	2 / 2
Ceiling	cm 28 / 20	28 / 20
Insulation of additional fire door DHT	cm -	-
Brick lining of protected walls	cm 10	10
Weight		
Fireplace + burning chamber	kg	185 + 73
meets requirement limit values for		
Germany / Austria / Switzerland / Norway	1.BImSchV (Stufe 2) / 15a BVG (2015) / LRV / NS 3059	

- 1) Throttle flap recommended
- 2) Approximate value, must be calculated eventually
- 3) Values with air gratings, stove casing is heat conducting
- 4) for firebox / flue gas pipe / metallic reheating surface

Ulrich Brunner GmbH
 Zellhuber Ring 17 -18
 D-84307 Eggenfelden
 Phone: +49 / (0)87 21 / 7 71-0
 Fax: +49 / (0)87 21 / 7 71-100
 info@brunner.eu | www.brunner.eu



BRUNNER products are offered and sold only by qualified dealers and service centres.
 Subject to technical and assortment changes. Errors excepted. (02/15)