



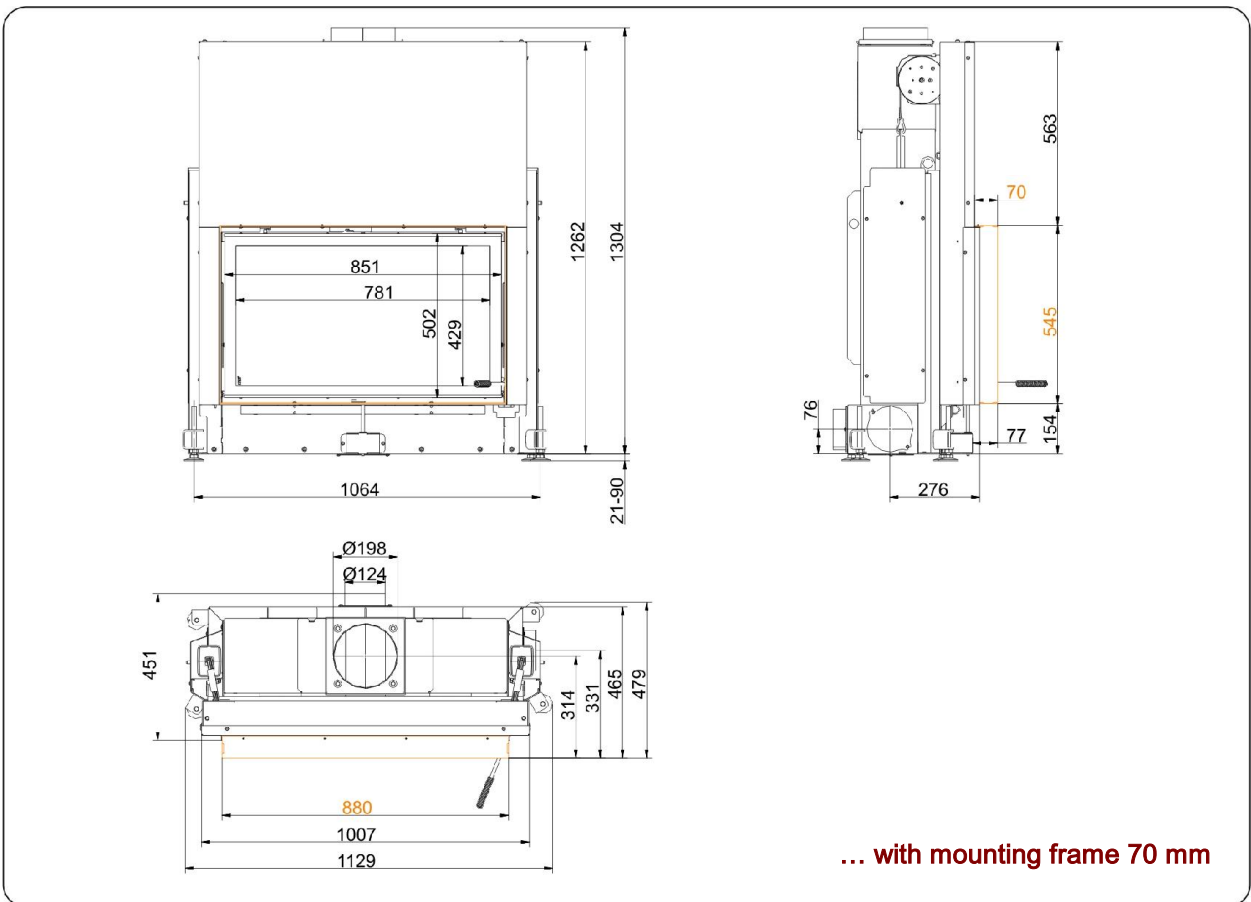
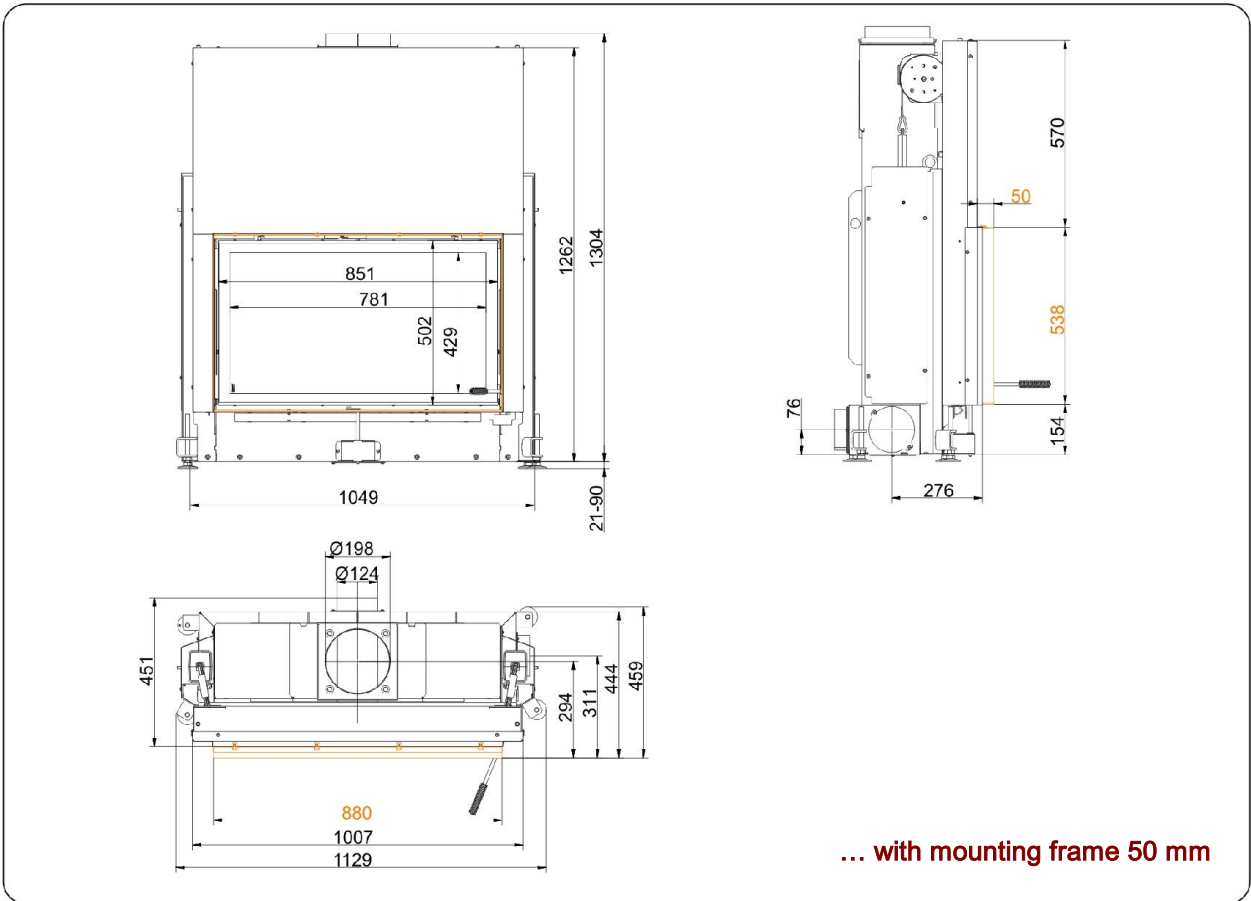
Stil-Kamin 53/88 k lifting doors (easy-lift)

State: 21.04.2015



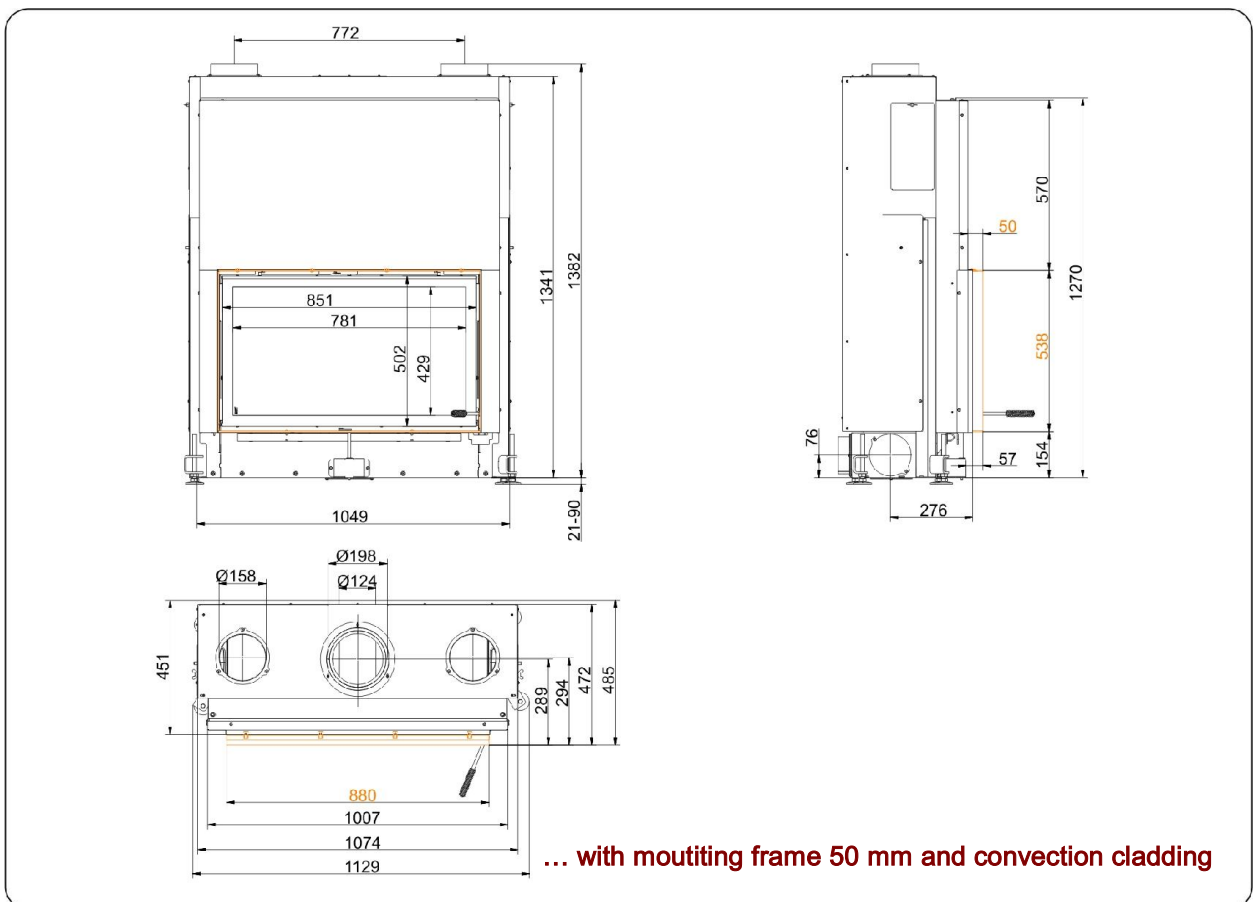
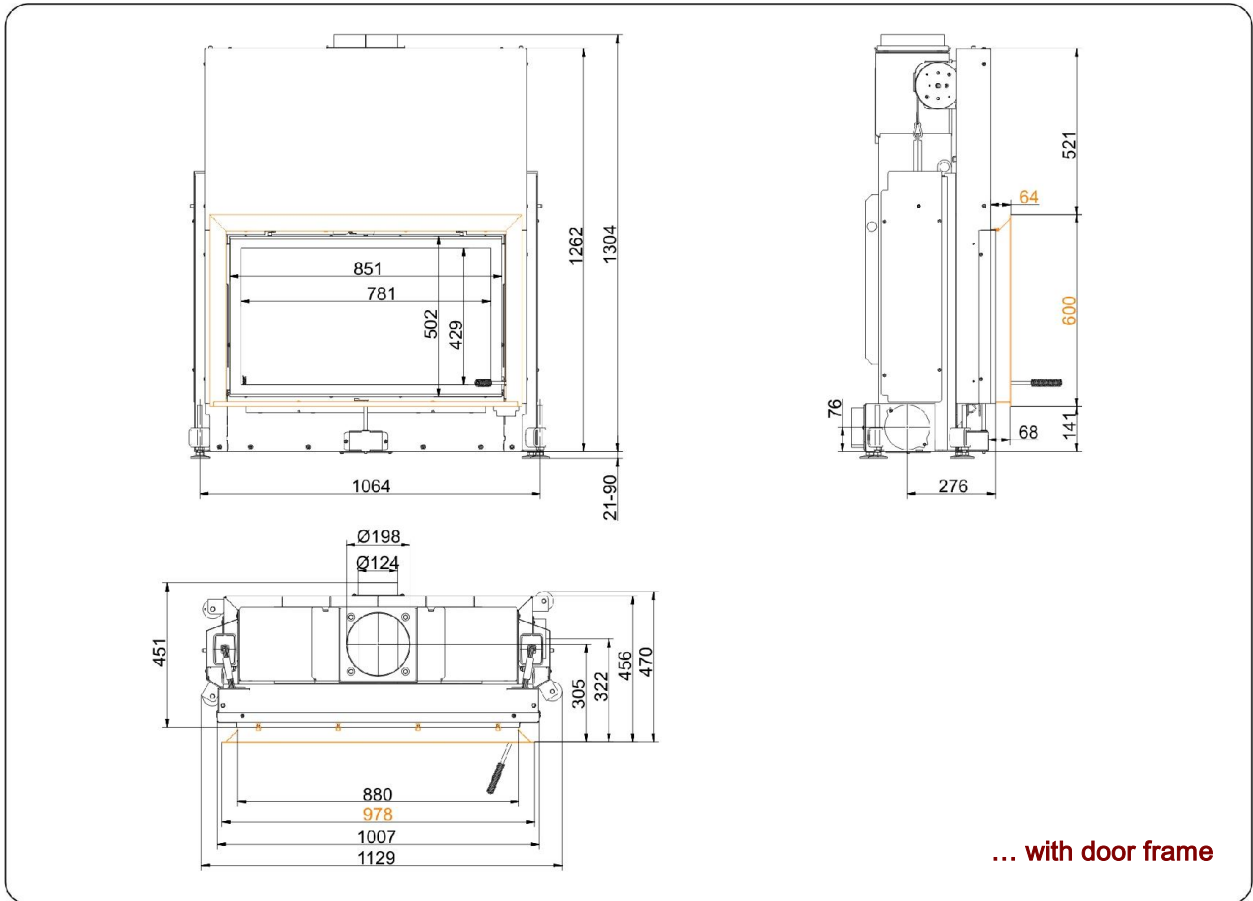
BRUNNER[®]
made in germany

Dimension sheet | **Stil-Kamin 53/88 k lifting doors (easy-lift)**



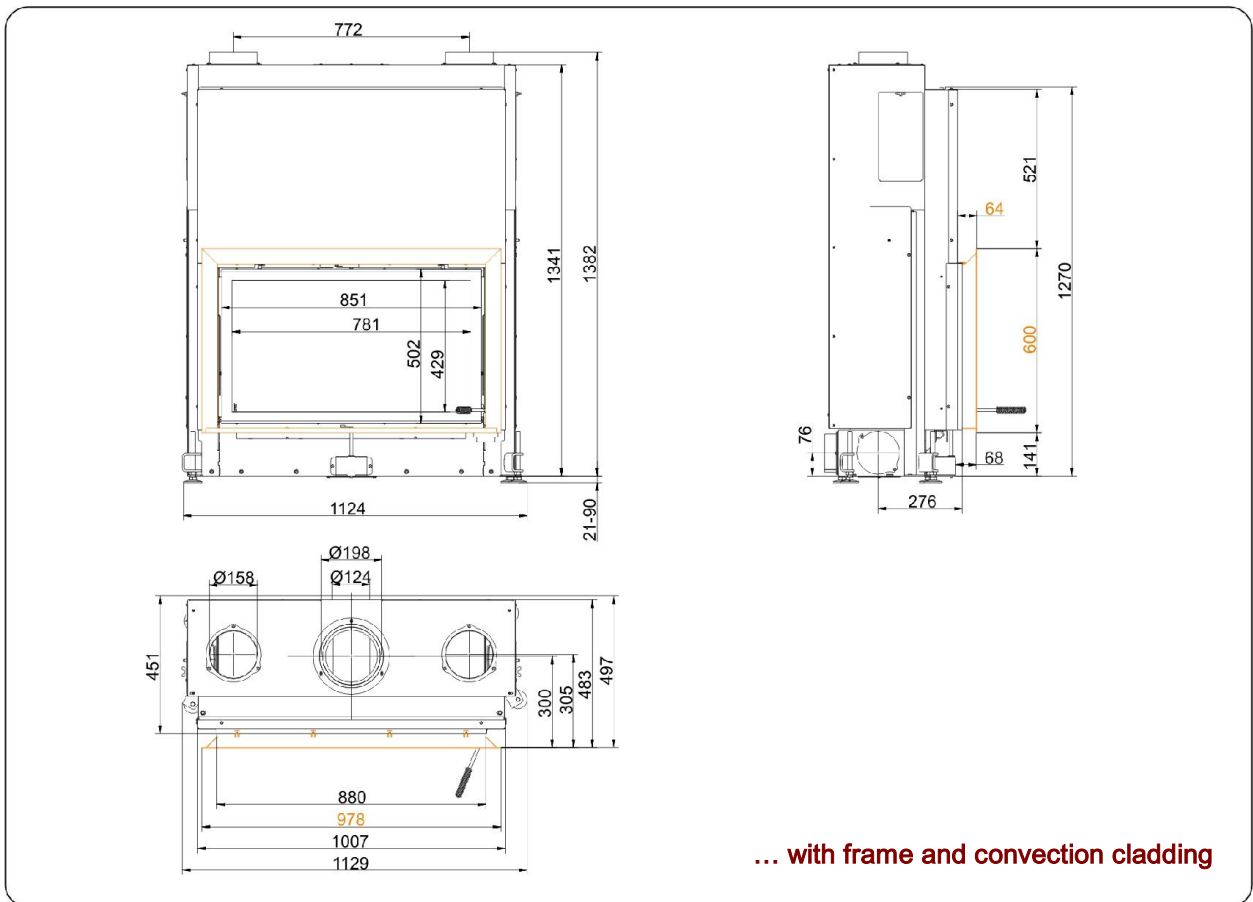
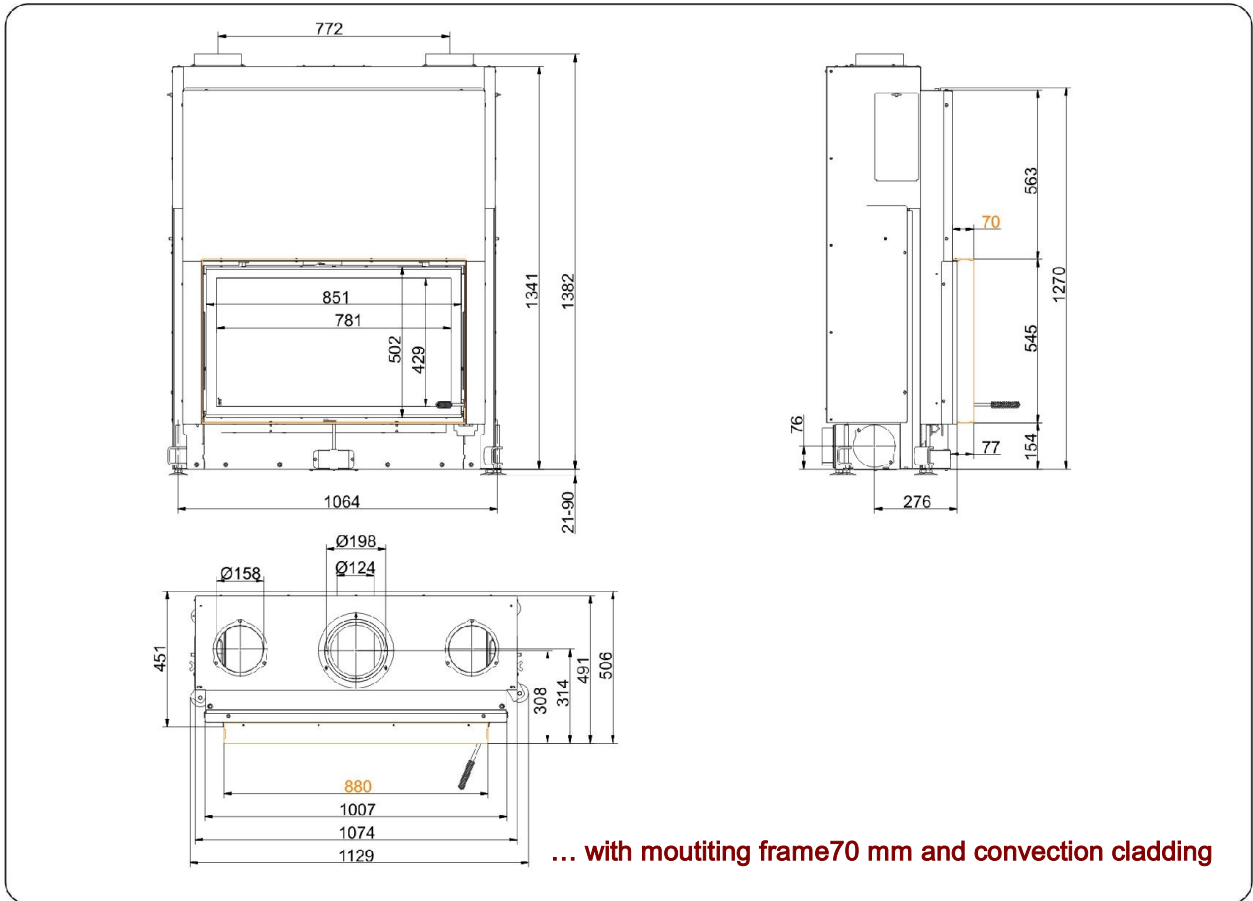
We suggest for CAD planing Palette CAD. Permanent updated drawings: www.brunner.de
 Frames / front versions are marked colored.

Dimension sheet | **Stil-Kamin 53/88 k lifting doors (easy-lift)**



We suggest for CAD planing Palette CAD. Permanent updated drawings: www.brunner.de
 Frames / front versions are marked colored.

Dimension sheet | **Stil-Kamin 53/88 k lifting doors (easy-lift)**



Planning and installation

Stil-Kamin 53/88 k

| Tested according to | EN 13229 W | EN 13229 W |
|---|--|------------------------|
| Values measured at | Nominal load | accumulation open door |
| Suitable for all construction types according to rules | OK | OK |
| Data for functional demonstration | | |
| Rated heat power | kW 9 | - |
| Firewood consumption | kg/h 2,9 | 2,9 |
| Combustion performance | kW 11 | 13 |
| Flue gas mass flow | g/s 12 | 70 |
| Outlet temperature (before heating surface) | °C 325 | - |
| Flue gas temperature after | | |
| attached steel smoke hood | °C 230 | 120 |
| 1 x adjoining cast iron radiator (GNF10) | °C - | - |
| accumulation rings (MAS) ¹⁾ | °C - | - |
| adjoining ceramic accumulator ²⁾ | °C - | - |
| accumulation stones (MSS) ²⁾ | °C - | - |
| water boiler | °C - | - |
| Necessary supply pressure | Pa 12 | 6 |
| Combustion air consumption | m ³ /h 38 | 180 |
| Combustion air connection Ø | mm 125 | - |
| Heat distribution | | |
| Insert / heating surface | % 60 / - | - / - |
| Glass (single / double) | % 40 / - | - / - |
| Boiler | % - | - |
| Cross-section of gratings | | |
| Supply air | cm ² 700 / 100 / 0 | - |
| Warm air | cm ² 700 / 100 / 0 | - |
| Minimal oven surface for closed construction type | | |
| Surface giving off heat | m ² - | - |
| Min. distances of fireplace without / with cladding | | |
| to insulation layer | cm 8 / 3 | 8 / 3 |
| to floor | cm - | - |
| Thermal insulation without / with ³⁾ air gratings | | |
| Adjacent wall | cm 18 / 14 | 18 / 14 |
| Adjacent wall; fireplace with cladding ⁴⁾ | cm 6+3 / 3+3 | 6+3 / 3+3 |
| Floor | cm 0 | 0 |
| Ceiling | cm 22 / 16 | 22 / 16 |
| Insulation of additional fire door DHT | cm - | - |
| Brick lining of protected walls | cm 10 | 10 |
| Weight | | |
| Fireplace + burning chamber | kg | 215 + 120 |
| meets requirement limit values for | | |
| Germany / Austria / Switzerland / Norway | 1.BImSchV (Stufe 2) / 15a BVG (2015) / LRV / NS 3059 | |

1) Throttle flap recommended

2) Approximate value, must be calculated eventually

3) Values with air gratings, stove casing is heat conducting

4) Execution thermal insulation according to installation manual

5) for firebox / flue gas pipe / metallic reheating surface

Ulrich Brunner GmbH

Zellhuber Ring 17 -18

D-84307 Eggenfelden

Telefon: +49 / (0)87 21 / 7 71-0

Telefax: +49 / (0)87 21 / 7 71-100

info@brunner.de | www.brunner.eu

